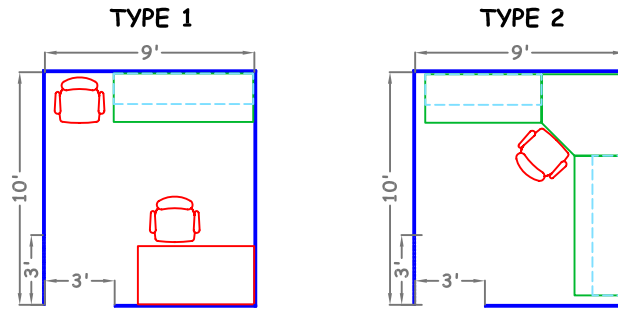


TYPICAL WORK STATION STANDARDS

SAMPLE LAYOUTS

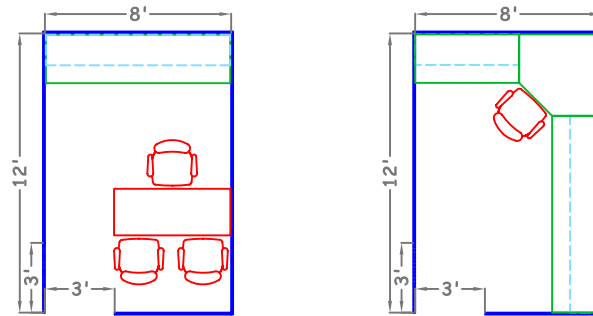
WORK STATION TYPE A:

- clerical support
- open office/partial screening
- 90 square feet



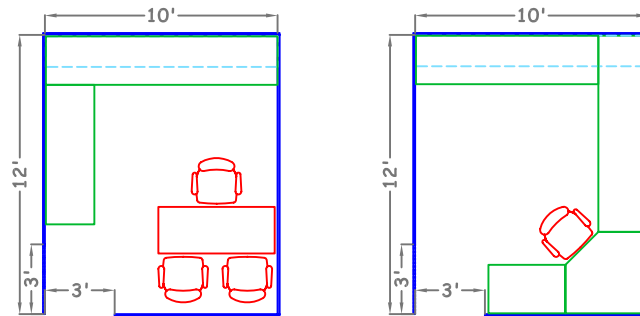
WORK STATION TYPE B:

- professional/research support
- open office/partial screening
- 100 square feet



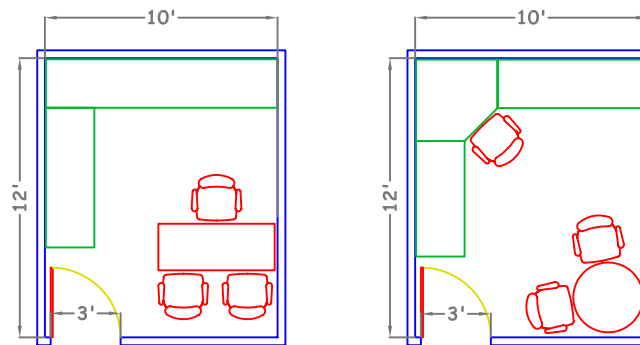
WORK STATION TYPE C:

- professional/research staff
- open office/screening
- 120 square feet



WORK STATION TYPE D:

- managerial/Sr. Academic staff
- private office
- 120 square feet



WORK STATION TYPE E:

- Directors/Department Heads
- Requires privacy or security
- Private office
- 150 square feet

